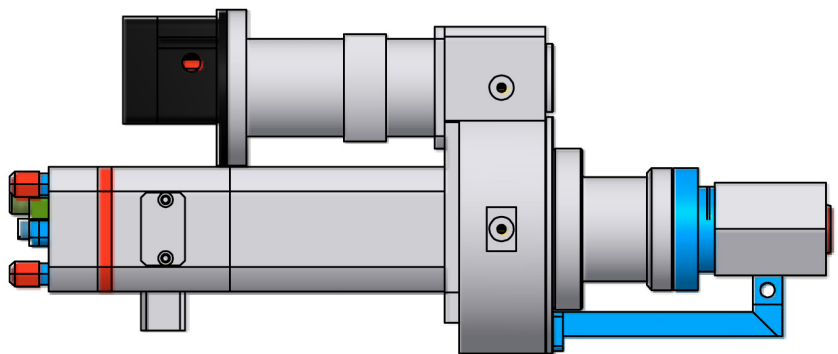
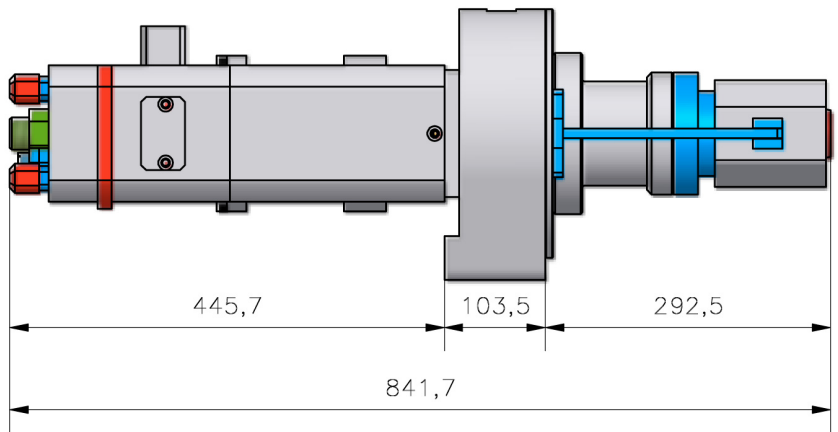
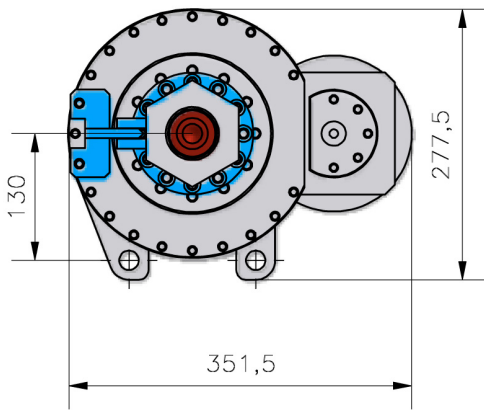
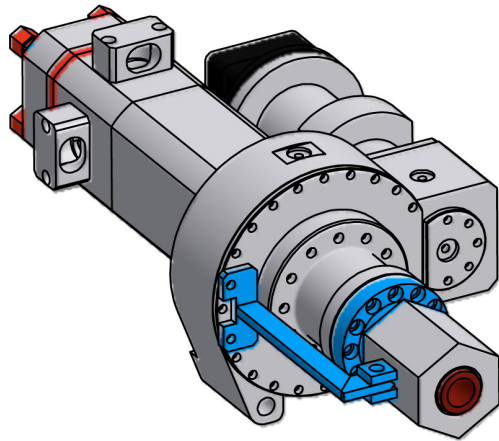


DRIFTER RP 90 AC



PERCUSSION UNIT		ROTATION UNIT	
N. OF BLOWS/MIN	3000	AIR CONSUMPTION l/min	2000
AIR CONSUMPTION l/min	5000	MAX WORK PRESSURE BAR	7
MIN WORK PRERSSURE BAR	4	SPEED RPM	90
MAX WORK PRESSURE BAR	7	MAX TORQUE Nm	600
ENERGY Nm	1100	CONTINUOS TORQUE Nm	400
		WEIGHT	63 Kg